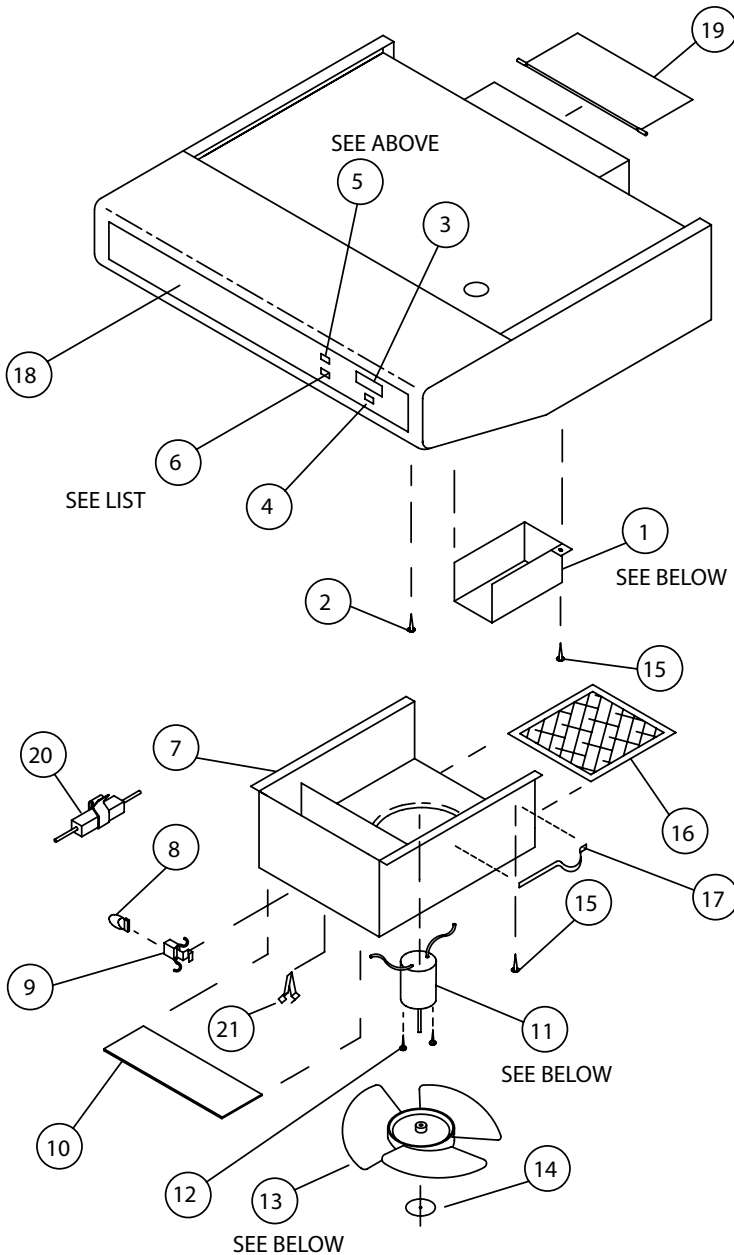


"T" Series Replacement Parts



Air Mover Parts WHAT YOUR MOTOR LOOKS LIKE

 SMOOTH SHAFT WITH FLAT	 KNURLED ROUND SHAFT	 1.5"
VA0183-00 FAN BLADE	BVC0472-00 FAN BLADE	BVD0216-00 FAN BLADE
#4-40 MACHINE SCREW	#4-40 MACHINE SCREW	M2.6 MACHINE SCREW
VA0164-01 MOTOR	BVC0468-01 MOTOR	BVD0218-00 MOTOR
NO LONGER AVAILABLE USE BVD0218-00 MOTOR & BVD0216-00 FAN BLADE	NO LONGER AVAILABLE USE BVD0218-00 & BVD0216-00	

"T" Series Powered Range Hood

Item	Qty	Part #	Description
1	1	CB0314-02	Junction Box Cover for Hood w/18" Cabinet Depth
		CC0155-01	Junction Box Cover for Hood w/20" Cabinet Depth
2	1	C0120-00	Green Ground Screw
3	1	L0155-00	Hourmeter (If used)
4	1	BL0112-00	Generator Switch (If used)
5	1	See Table	Fan Switch (Rocker)
6	1	BL0108-00	Black Lamp Switch (Rocker)
		BL0816-00	White Lamp Switch (Rocker)
7	1	Consult Factory	Blower Housing
8	1	VA0415-00	#921 Lamp Bulb*
9	1	BCB0267-02	Lamp Socket
10	1	BCC0179-00	Lamp Lens
11	1	See Table	12 Volt DC Motor
12	2	See Table	#4-40 x 1/4 Machine Screw*
13	1	See Table	Fan Blade
14			
15	1	C0119-00	#8 x 3/8" Sheet Metal Screw*
16	1	BCC0246-00	Aluminum Grease Filter
		BCC0248-00	Charcoal Grease Filter for Ductless Range Hoods
17	1	C0488-00	Damper Lock Spring (N/A for Ductless Models)
18	1	CC0428-00	Hood Nose Label
19	1	BCA0472-00	Plastic Damper (N/A for Ductless Models)
20	1	L7318-00	Resistor (2-Speed fan only)
21	1	BCC0245-00	Filter/Lens Retainer Clip

*Can be purchased locally